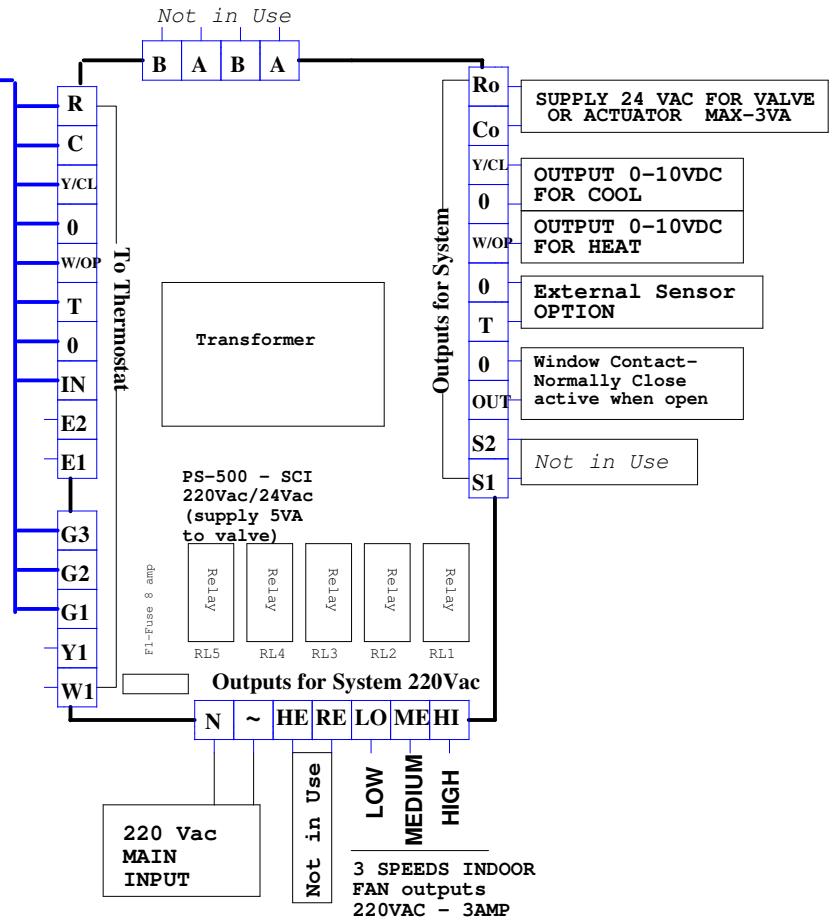
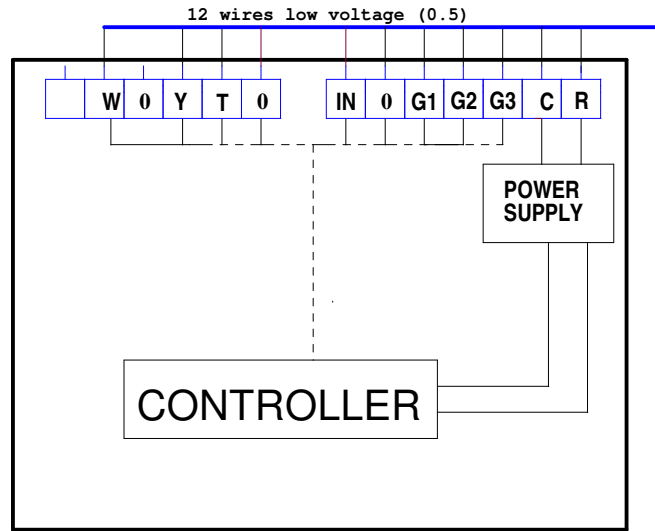
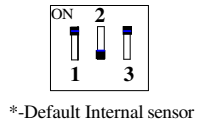


IR receiver (option)



	*Internal Sensor	External Sensor
1	*ON	OFF
2	*OFF	ON
3	*ON	OFF



*-Default Internal sensor

meitav-tec
 Tel: +972-3-9626462 Fax: +972-3-9626620
 email: support@meitavtec.com

Title: ETN-12-P-3speed with PS-503 supply
 Date: 31-July-05 DWG No.

No.	Revision	Date

Print name: ETN2P-3S Drawn: Marina
 Software name: 0000 Checked: Oleg
 Check sum: 0000 Approved: Valery
 File name: ETN12-P-3S(COOL+HEAT)WITH PS-503+WINDOW CONTACT.DSN