

Important !
 Disconnect power to the main board before making any changes to DIP switches/Jumpers, wiring the unit and/or connecting the wall panel.

Pump Output – 230Vac , 1A
 Will be active only when the Cool output is also active

Device Instance Number (DIN)

F1,0	F2,0	F3,0	DIN
Unshort	Unshort	Unshort	EEPROM
Short	Unshort	Unshort	DIN= MAC+1200
Unshort	Short	Unshort	DIN= MAC+1000
Short	Short	Unshort	DIN= MAC+800
Unshort	Unshort	Short	DIN= MAC+600
Short	Unshort	Short	DIN= MAC+400
Unshort	Short	Short	DIN= MAC+200
Short	Short	Short	DIN=MAC

MAC Physical address of Device (DIP SWITCH)

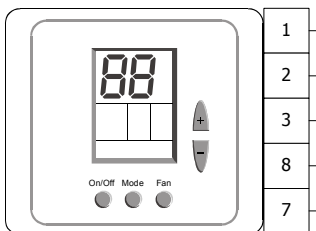
Device Instance Number (DIN)

F4 – Fault input (N.C.)
 When open – all outputs OFF (no delay)

F5 – Short – Fan Only mode available (Selectable through thermostat)
 F5 – Open – Fan Only mode not available

F6 – Fault 2 input (N.C.)
 Only for indication through the protocol

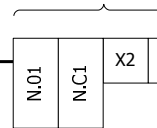
Thermostat (Option)



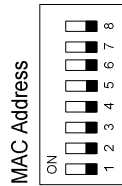
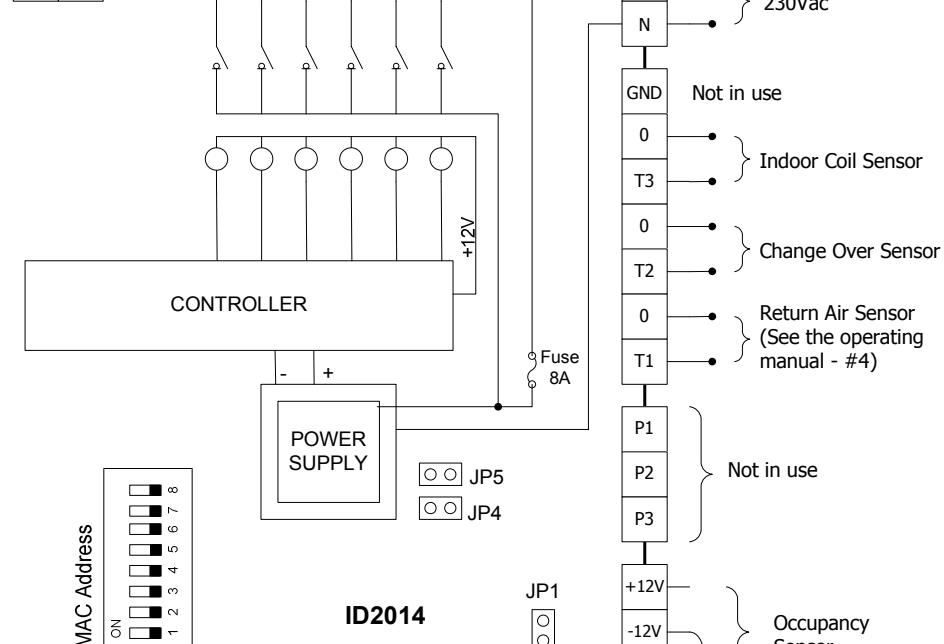
ETN/X500 ; FMH/X500 ; IRP/X500

0,PR -Open thermostat work in °C.(Default from factory)
 0,PR -Close thermostat work in °F.

Not in use

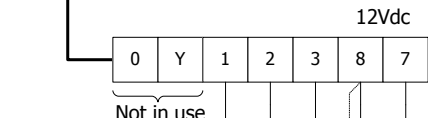


Pump Output (230Vac,1A)
 Cool (230Vac,1A)
 Heat (230Vac,1A)
 Indoor Fan (230Vac,3A)
 High
 Medium
 Low



ID2014

JP1



Not in use
 5x0.5 12VDC
 (Temperature through the protocol)
Shielded cable - Connect the shield to the "8" terminal of the main board.

BACNET (Alerton) MSTP Protocol

BACNET (Alerton) MSTP Protocol

Heat – Connector 14

For Valve only ! Do not connect an electrical heater !

Change Over Sensor (T2) in 2-Pipe system:

With Change Over Sensor

T2 < 20°C → Cool
 T2 > 30°C → Heat

Without Change Over Sensor

Manually select the mode using the wall panel or computer.

Indoor Coil Sensor (T3) Indoor Fan in heat mode Auto Fan = ON :

With Indoor Coil Sensor

T3 > 32°C → Fan ON
 T3 < 28°C → Fan OFF

Without Indoor Coil Sensor

The Indoor Fan will operate when there is a demand for heating (with 30 seconds time delay)

Jumpers – JP4 & JP5

JP4 – SHORT (4-Pipe System)

Auto change over active
 2 separate outputs for Cool and Heat (14 & 15)
 T2 – for monitoring only

JP4 – OPEN (2-Pipe System)

Auto change over not active
 1 output for Cool and Heat (15)
 T2 – Logic selection

JP5 - SHORT

In Cool mode – Auto Fan
 In Heat mode – Auto Fan

JP5 - OPEN

In Cool mode – Fan ON
 In Heat mode – Fan ON

JP1

End of Network jumper – Jumper Short (Resistance 120 Ω)



Occupancy Sensor

When the IR (N.C.) input is open for 10 minutes, all outputs turn Off.

Short the (-12V) and (IR) connectors, only when an occupancy sensor is not connected

meitav-tec

Tel: +972-3-9636462
 Fax: +972-3-9626620
 e-mail: support@meitavtec.com

Title: PS2500-3S-FC-SUPER

Date: 15.03.07

Print name: PS-2500

Drawn: M.Ruchansky

Checked: O.Volovitch

Approved: E.Roy

File name: PS2500-3S-FC-SUPER.VSD