



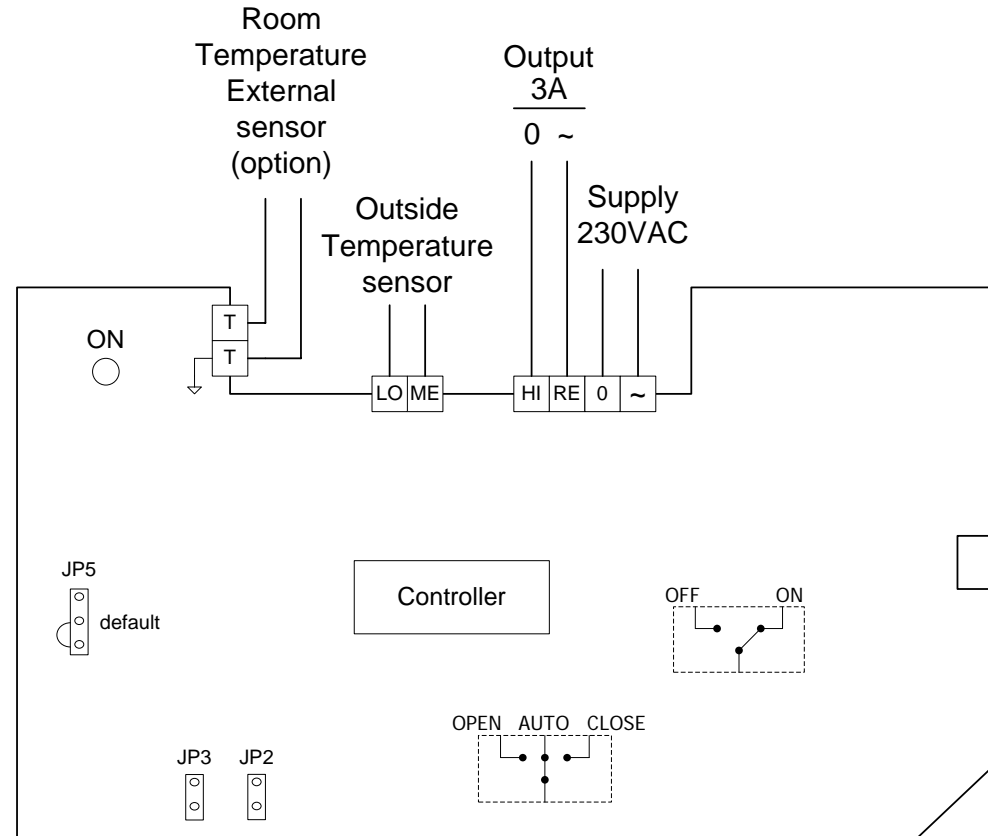


Jumper Configuration

Minimum temperature difference between outside temp. & room temp.

JP3	Open	Short	Open	Short
JP2	Open	Open	Short	Short
°C	4	3	2	1

JP5		
	External Room Sensor	Internal Room Sensor (default)



meitav-tec

Tel: +972 (3) 962 6462
 Fax: +972 (3) 962 6620
 e-mail: support@meitavtec.com

Title: **Free Cooling-01**

Date: 15/07/2009

1

Original

15.07.09

Print name: EP2SW/LCD

Software: 09401701

Chksum: 7EFO

File name: Free-Cooling.vsd

Drawn: Danny

Checked: Kedma

Approved: E.Roy