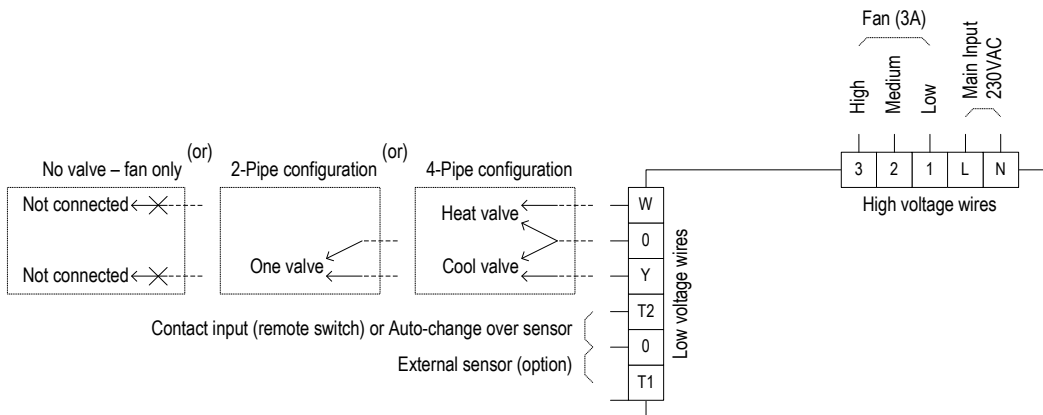
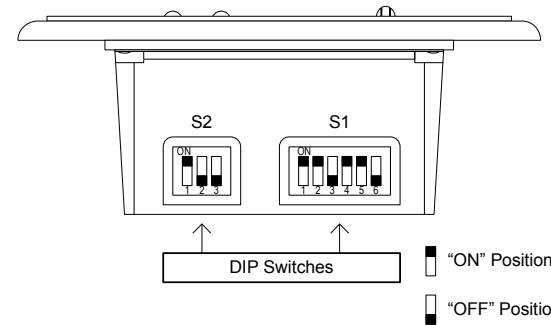


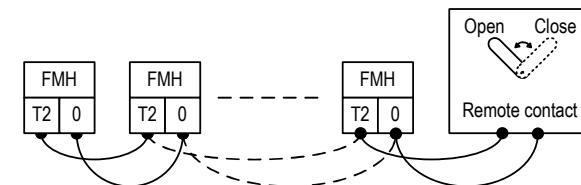
DIP Switch Settings

Switch	"ON" Position	"OFF" Position	Default
S1.1	Auto-Change Over Sensor	Contact Input	ON
S1.2	4-Pipe system	2-Pipe system	ON
S1.3	1 Fan speed	3 Fan speeds	OFF
S1.4	With auto change over mode	Without auto change over mode	ON
S1.5	Set-point and Room temp. display	Set-point temp. display only	ON
S1.6	Always Auto fan	Auto fan selectable	OFF
S2.1	Internal sensor	External sensor	ON
S2.2	External sensor	Internal sensor	OFF
S2.3	External sensor	Internal sensor	OFF



Installation of remote switch

- " Connect the "T2" and the "O" terminals of the thermostats as shown in the illustration below.
- " Connect the "T2" and "O" terminals of the last thermostat to the remote switch.



meitav-tec
 Tel: +972-3-9626462
 Fax: +972-3-9626620
 e-mail: support@meitavtec.com

Title:
FMH220P-FC-SUPER

Date: 10/11/2008

Rev.1 Original

10.11.2008

Print name: FMH 485/USART RevC
 OUT-FMH485-2P-3S Rev A
 Software: 08401414
 Checksum: AF05
 File: FMH220P-FC-SUPER.VSD

Drawn: P.Rechtman
 Checked: S.Lukin
 Approved: E.Roy