



## ETN-24-PMH-3 SPEEDS



**Surface mount thermostat 24Vac, With 1 proportional output for COOL (3 wires), on/off HEAT output (relay) and 3 speed Fan.**

### General

**The ETN thermostat is a fully featured and stylish thermostat that is well suited for commercial and residential applications.**

**The ETN 24-PMH-3S has 1 proportional output (3-wire, 24Vac) for COOL and an on/off output for HEAT. It is suitable for 2-pipe systems only and has 3 fan speeds, 24 Vac.**

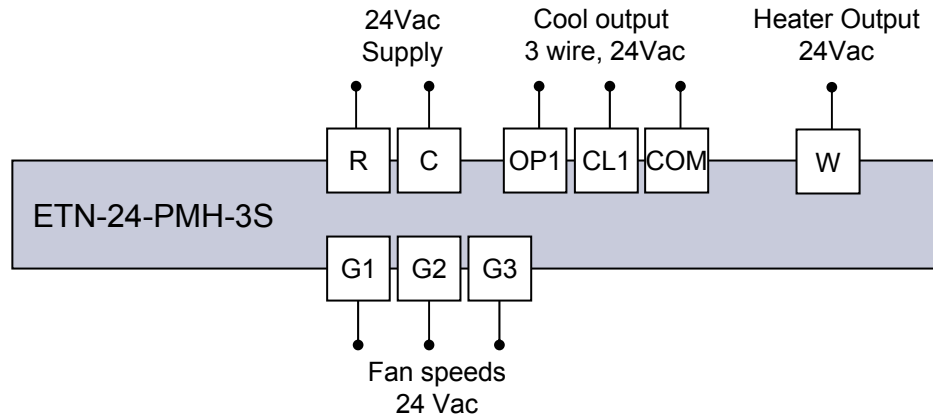
**A attractive, surface mounted thermostat , with large, easy to read display**

### Features

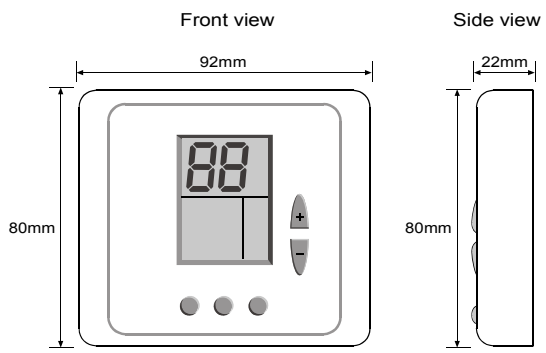
- Wall mount - 24 Vac.
- Adjustable Open/Close time for motor
- (100 to 400 seconds)
- 1 Proportional and Integral output (3 wires) for COOL
- HEAT output (on/off relay)- 24 Vac.
- Two different scales: Fahrenheit or Celsius
- Auto speed selectable
- Auto fan selectable
- Easy to install and use



### Electrical Diagram



### Dimensions



### Specifications

Temperature Range	10°C + 30°C
Weight	0.123 Kg
Scale	°C/ °F
Color	White
Accuracy	±1°C/ ±2°F
Plastic	PC/ABS
Flammability	UL94V-0
Temperature Input	Thermistor 50K@25°C

### Accessories

Part Number	Description
WP4	Decorative Back Plate for ETN