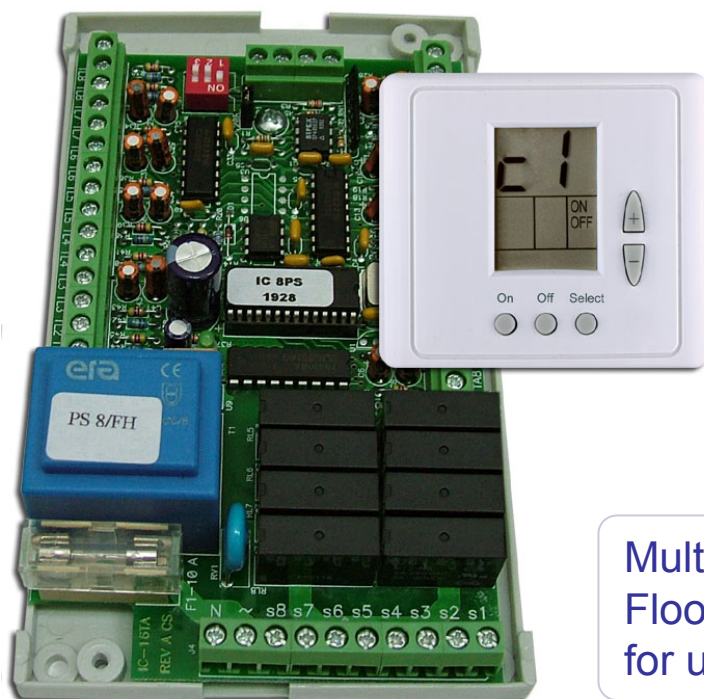




PS8-FH + ETN-8H



Multi-zone main controller for Floor Heating applications, for up to 8 rooms.

General

The PS8-FH + ETN-8H multi-zone controller for floor heating elements is perfectly suited for commercial or residential applications.

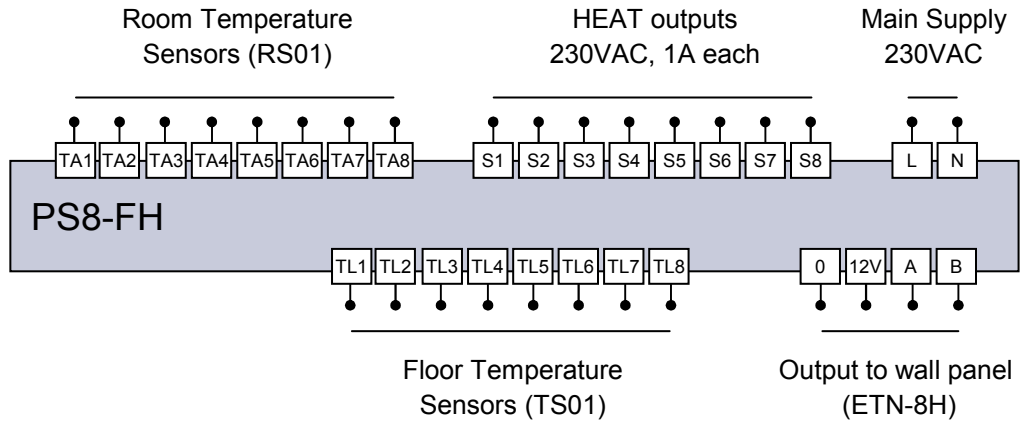
The PS8-FH + ETN-8H system consists of one main board for the control of up to 8 zones (outputs for 8 room temperature sensors). The user controls the zones via a wall panel, where each zone may be individually accessed. The PS8-FH + ETN-8H also offers overheat protection, ideal for parquet floors.

Features

- Main supply – 230VAC
- Output for up to 8 HEAT elements- 230VAC, 1Amp
- ETN-8H- wall-mount thermostat control panel (12Vdc) for up to 8 zones (output from main board)
- Output for up to 8 external temperature sensors (RS01)
- Output for up to 8 floor temperature sensors (TS01)
- Overheat protection- unit turns OFF if floor temperature limit is reached
- DIP switch selectable floor temperature limit (27°C, 28°C, 29°C or 30°C)



Electrical Diagram



Specifications

Temperature Range	10° - 35°C
Weight	0.180 Kg
Scale	°C
Color	White
Accuracy	±1°C
Plastic	PC/ABS
Flammability	UL94V-0
Temperature Input	Thermistor 50K@25°C

Dimensions

Length	147mm
Width	90mm
Height	64mm

Accessories

Part Number	Description
TS01	Temperature Sensor - 80 cm Cable
RS01	Temperature Sensor into decorative box
RS02	Average Temperature Sensor into decorative box