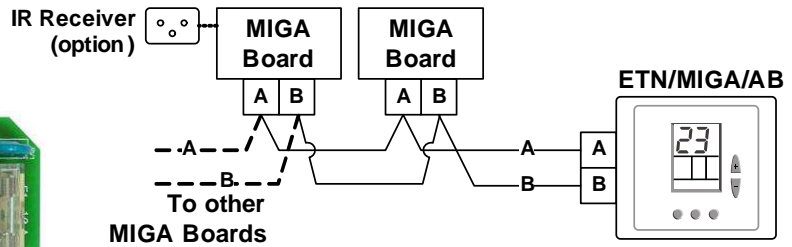




MIGA AB



Multi MIGA board connection diagram



Control of multiple fan-coil controllers, linked one to another, via a master panel. Ideal for open spaces.

General

MIGA AB controller is a smart, cost effective solution for multiple fan-coil control.

ETN/MIGA/AB master panel allows control of up to 32 MIGA controllers, which need the same working conditions. Each MIGA board controls temperature according to the orders received from the master ETN/MIGA/AB, but works according to its local ambient temperature, measured by its temperature sensors. It is, therefore, a great solution for open spaces, such as banks, large stores and similar applications where one set of parameters suits all fan-coil units.

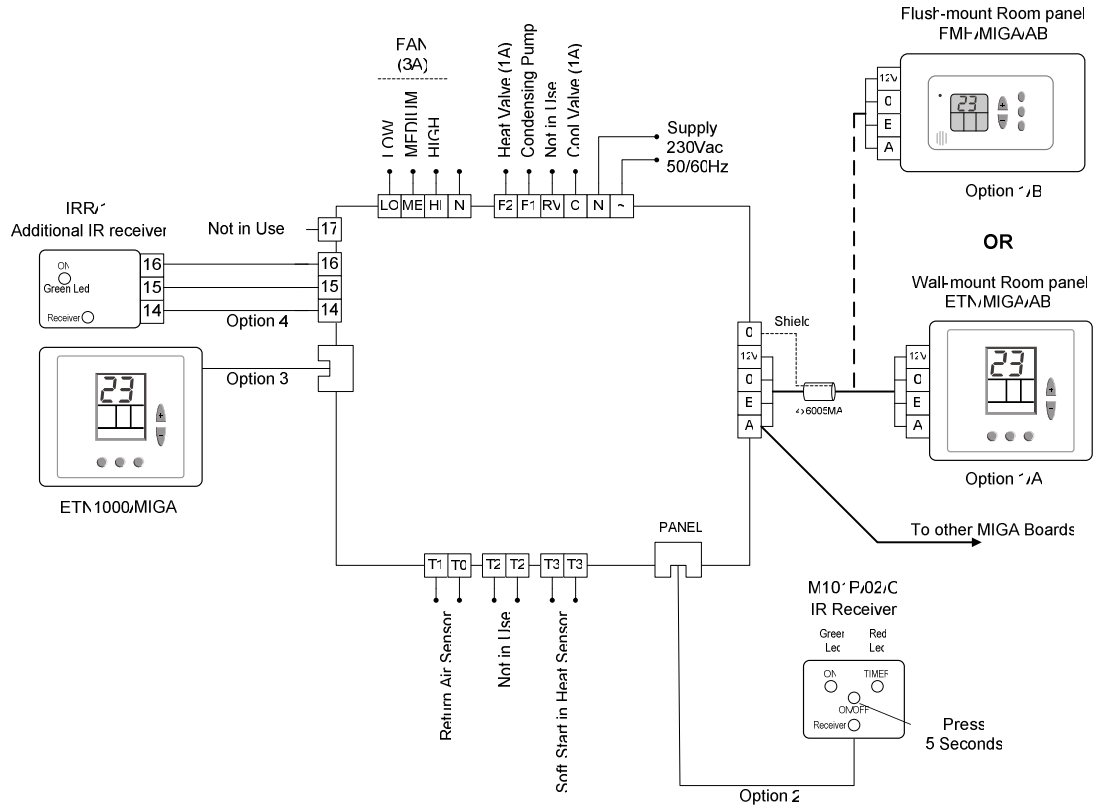
MIGA AB, together with a wall or flush mount panel, is a convenient, easy way to operate numerous fan coil controllers.

Features

- Main Supply - 230 VAC
- Various F/C applications, jumper selectable:
 - ✓ 2 pipe systems
 - ✓ 4 pipe systems
- 3 fan speed control
- Modes: Cool, Heat, Auto, Fan Only
- On/Off, Mode, Fan Speed and Set-Point is selected from master panel to all boards
- Return Air Sensor and Soft-Start in Heat sensor independent in every MIGA board
- Condensing Pump output
- Special Air Mixing algorithm in Heat (when set-point \geq ambient temp.)
- Optional master panels - Wall / flush-mount
- Optional slave panels - wall-mount, IR receiver (can override the main panel command (Last operation rules).
- Remote Control (RT03) - optional
- Daily, Start-Stop timer (from remote control only)
- Economy T-set in Cool & Heat – adjustable
- Room Temperature Offset - $\pm 6^{\circ}\text{C}$
- Set point limits - $10^{\circ}\dots 30^{\circ}\text{C}$
- In 2-pipe systems, Aqua-Stat should be used between valve outputs and valve itself



Electrical Diagram



Dimensions

Length	152mm
Width	90mm
Height	40mm

Specifications

Temperature Range	10-30°C
Weight	0.400Kg
Scale	°C
Accuracy	±1°C
Flammability	UL 94V-0

Accessories

Part Number	Description
ETN1000/MIGA	Wall Mount slave panel
IRR/1 - IR receiver	IR receiver panel
M101P/02/C	IR receiver panel
RS01	External temperature sensor in a decorative box
TS01	External temperature sensor, 80 cm cable
RT03	Hand-Held Remote Control



Panel Options

Optional master panel

ETN/MIGA/AB panel

DIP switch selectable options :

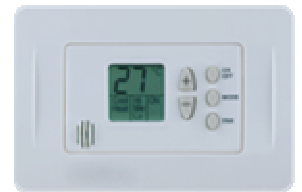
- ✓ Lock / Unlock panel buttons
- ✓ On-Off / Start-Stop configuration
- ✓ Read ambient Temp. from panel / MIGA
- ✓ T-set + T ambient Display / T-set display only
- ✓ Standard work / Technician work



FMH/MIG/AB panel

DIP switch selectable options :

- ✓ On-Off / Start-Stop configuration
- ✓ Read ambient Temp. from panel / MIGA
- ✓ T-set + T ambient Display / T-set display only
- ✓ Standard work / Technician work



Optional slave panels

ETN1000/MIGA



IRR/1 - IR receiver



M101P/02/C- IR receiver

