

FMT-24-PD-3S



Flush-mount, 24VAC thermostat, with a single proportional output for both Cool & Heat and 3 fan speeds

General

The FMT-24-PD-3S is a fully featured, stylish thermostat suitable for light commercial, residential or apartment, 2-pipe fan coil applications.

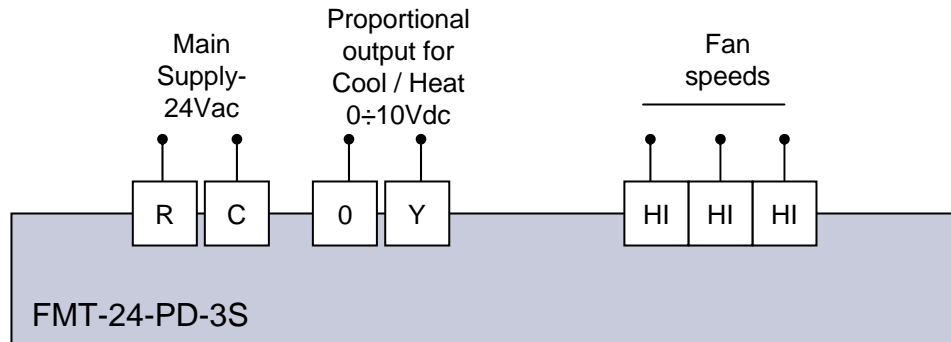
It offers 1 proportional output for both Cool and Heat (0-10VDC or 2-10VDC) and 3 fan speeds.

The FMT-24-PD-3S is a smart looking, flush mount thermostat, with a soft aesthetic shape and a large, easy to read LCD.

Features

- Flush-mount, 24VAC thermostat
- 1 Proportional output for both Cool & Heat (0-10Vdc or 2-10Vdc)
- 3 fan speeds + auto speed
- External sensor – optional
- Energy saving – cost efficient, environmental friendly thermostat
- Modes: Cool / Heat / Fan Only
- Large & easy to read display
- Silicon rubber key pads
- Simple & friendly setting

Electrical Diagram



Specifications

Temperature Range	10° - 30°C	Accuracy	±1°C
Weight	0.200 Kg	Plastic	PC/ABS
Scale	°C	Flammability	UL94V-0
Color	White	Temperature Input	Thermistor 50K@25°C

Dimensions

