



FMHC220-FC-MDB02



Modbus-RTU

Flush mount, 230VAC thermostat, for Fan Coil B.M.S. applications, with Modbus protocol

General

The FMHC220-FC-MDB02 is a highly versatile, stand alone thermostat, suitable for Building Management System application, with Modbus communication protocol.

With multiple, selectable modes of operation, the FMHC220-FC-MDB02 offers suitability to 2-Pipe, 4-Pipe or no valve Fan Coil system, and can function as either Cool/Heat or Cool Only thermostat. Using DIP switch, technician can select between applying Auto-Change-Over sensor, or alternatively utilizing a contact input for Economy mode to save energy. In addition, it offers the Auto-Fan feature to work at either Cool, or Heat or at both. Additional features, such as Set Point Temp. Limits, Dead Zone and Room Temperature Offset are all implemented and changeable.

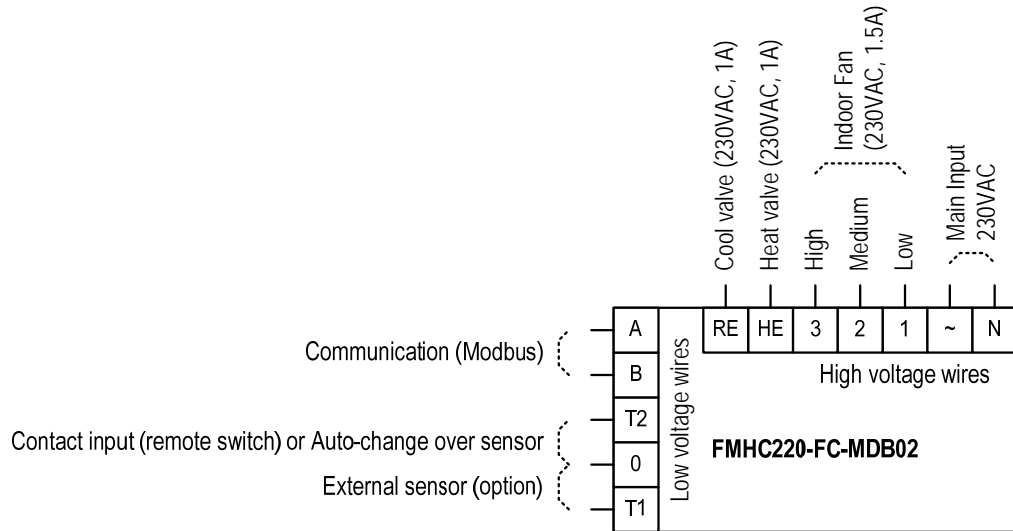
Overall, the FMHC220-FC-MDB02 offers numerous options, nonetheless setting is simple and user friendly.

Features

- Flush mount, 230VAC thermostat
- 2 separate outputs for Cool & Heat
- DIP switch selectable options:
 - * Auto-Change-Over sensor or Contact input
 - * 2-pipe or 4-pipe system
 - * 1 or 3 fan speed control
 - * With or without Auto-Change-Over mode
 - * Set point & room temp. display on LCD, or set point temp. display only
 - * Always Auto-fan or Auto-fan selectable
 - * Internal or external sensor
- Modes: Cool/ Heat / Auto- Change-Over/ Fan Only
- Contact input changes to Economy mode or turns unit off
- Cool Only thermostat – option
- Auto-Speed
- Disable Fan operation – option (only in Cool, only in Heat, or in both)
- Set point limits – 10...30°C
- 3 Auto-Fan types:
 - * Auto-fan in Cool & Heat
 - * Auto-fan only in Cool
 - * Auto-fan only in Heat
- Password for protected setting
- MAC address – up to 99 addresses
- Pushbutton beeper – option
- Restore default setting - option
- Hand held remote control (RT03) - option



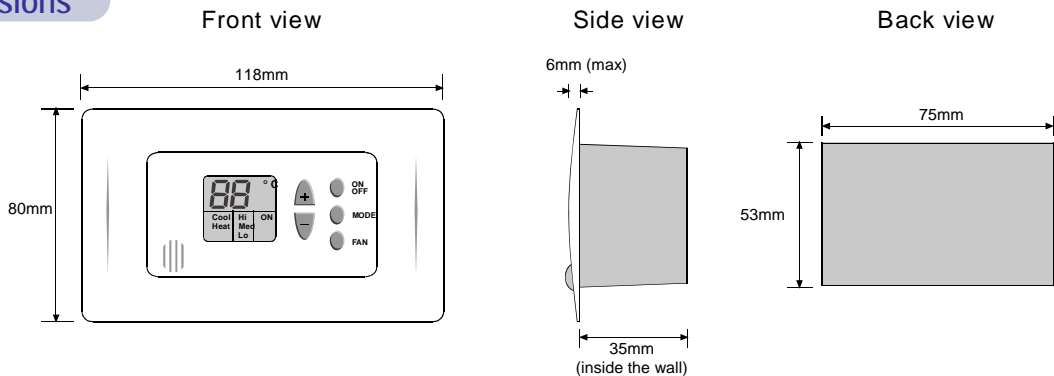
Electrical Diagram



Specifications

Temperature Range	10° - 30°C	Accuracy	±1°C
Weight	0.200 Kg	Plastic	PC/ABS
Scale	°C	Flammability	UL94V-0
Color	White/Black/Silver/other	Temperature Input	Thermistor 50K@25°C

Dimensions



Accessories

Part Number	Description
TS01	External Temperature Sensor - 80 cm Cable
TS02	External Temperature Sensor - 300 cm Cable
RS01	Room temperature sensor
RT03	Hand held remote control