

## FMH-24-P-1S



**Flush-mount 24Vac thermostat, with 2 outputs for Cool & Heat (0-10VDC), and 1 fan speed**

### General

**The FMH-24-P-1S is a fully featured thermostat which suits light commercial, residential or apartment applications.**

**It has 2 proportional outputs for Cool and Heat (0-10VDC) and 1 fan speed.**

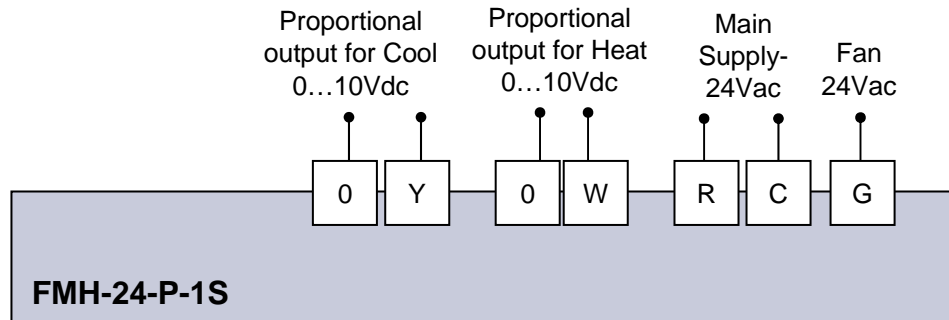
**It is a smart looking, flush mount thermostat, with a soft aesthetic shape and a large, easy to read LCD display.**

### Features

- Flush mount, 24VAC thermostat
- 2 separate proportional outputs for Cool and Heat (0-10V)
- 1 fan speeds
- Energy saving – operates up to 2 compressors, if needed
- Hand held remote control – option
- 12-h Timer
- Modes: Cool / Heat / Fan
- Silicon rubber key pads
- Large, easy to read display
- Simple & friendly setting



### Electrical Diagram



### Specifications

Temperature Range	10° - 30°C	Accuracy	±1°C
Weight	0.200 Kg	Plastic	PC/ABS
Scale	°C	Flammability	UL94V-0
Color	White	Temperature Input	Thermistor 50K@25°C

### Dimensions

