



FCC_01 - Free Cooling Controller



Wall mount, 230VAC controller, for Cooling with outside fresh air – saves energy and refreshes room air.

General

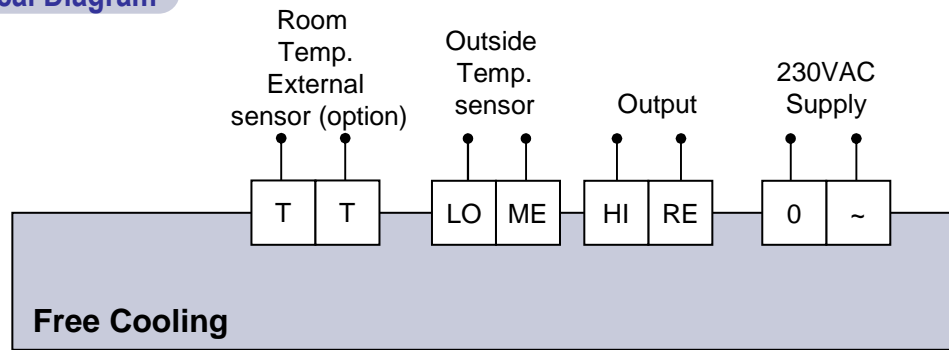
Meitav-tec's 'Free Cooling' controller offers a simple, energy saving solution to control room temperature. 'Free Cooling' is virtually a Cool Only thermostat, which serves as a complementary to an existing HVAC control system. The thermostat is designed to take advantage of natural resources to cool room temperature; if outside temperature is cooler than ambient then the Free Cooling thermostat sends a signal to open a window or a damper to let fresh, cool air come in, and cool the room.

Features

- Wall mount – 230VAC thermostat
- Open / Auto / Close switch (for damper, fan or window)
- External / Internal room sensor – jumper selectable
- Outside temperature sensor input
- Can work as “stand-alone” or next to other HVAC system
- Difference between ambient and room temperature, to open the window, is jumper configured. (Default is 1°C)



Electrical Diagram



Specifications

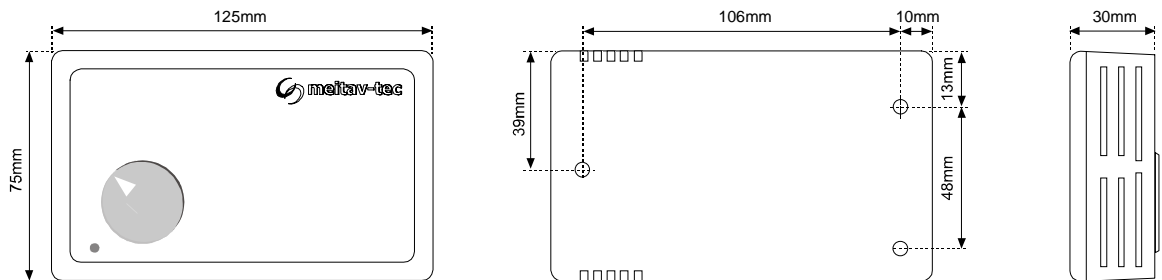
Temperature Range	10° - 30°C
Weight	0.150 Kg
Scale	°C
Color	White
Accuracy	±1°C
Plastic	PC/ABS
Flammability	UL94V-0
Temperature Input	Thermistor 50K@25°C

WP1 – Decorative Back plate adaptor



Dimensions: 132x84x7mm

Dimensions



Accessories

Part Number	Description
TS01	Temperature Sensor - 80 cm Cable
RS01	Temperature Sensor into decorative box
RS02	Average Temperature Sensor into decorative box
OS01	Outside Remote Temperature Sensor
WP1	Decorative back plate for TED thermostat series