

ETN24-PMH Series



Wall-mount, 24VAC thermostat for 2-pipe systems, with 1 proportional output (3-wire, 24VAC) for Cool and an on/off output for Heat

General

The ETN-24-PMH Series is well suited for commercial or residential applications.

It offers 1 proportional output (3-wire, 24VAC) for Cool and an on/off output for Heat. It is suitable for 2-pipe systems only and has 1 fan speed or 3 fan speeds, 24 VAC.

The ETN-24-PMH is an attractive thermostat, with a large, easy to read display.

Features

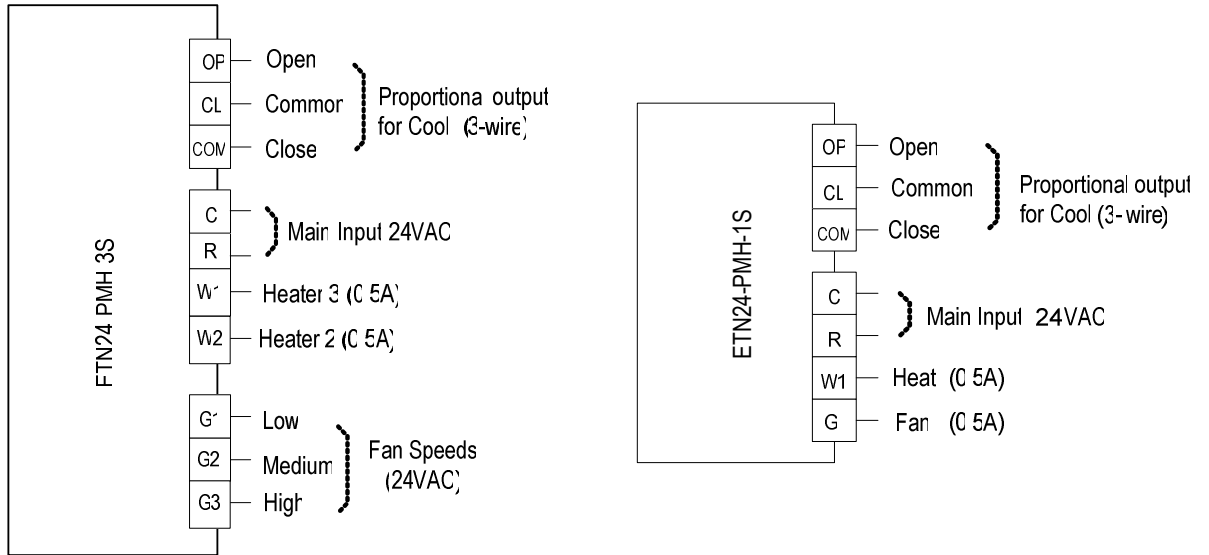
- Wall mount - 24VAC thermostat
- Adjustable Open/Close time for motor (10 to 250 seconds)
- 1 Proportional and Integral output 24VAC (3- wires) for Cool
- Heat output (on/off relay) - 24 VAC
- 1 or 3 fan speed control
- Fan delay after Electric heater operation
- Energy saving – cost efficient, environmental friendly thermostat
- IR remote control option
- Auto speed (only in 3 Speed model)
- Auto fan - selectable

Models

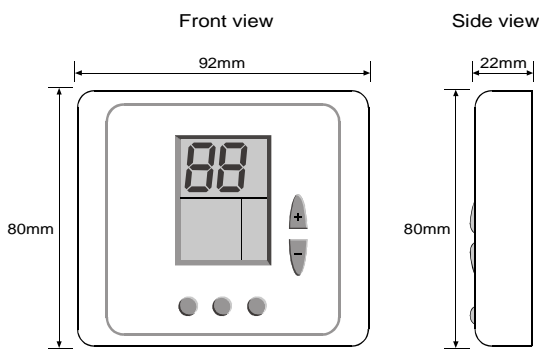
Model	Cool	Heat	Speeds
ETN24-PMH-1S	3-wire	On/off	1
ETN24-PMH-3S	3-wire	On/off	3



Electrical Diagram



Dimensions



Specifications

Temperature Range	10°C ÷ 30°C
Weight	0.25 Kg
Scale	°C
Color	White
Accuracy	±1°C
Plastic	PC/ABS
Flammability	UL94V-0
Temperature Input	50K@25°C

Accessories

Part Number	Description
TS01	Temperature Sensor - 80 cm Cable
RS01	Temperature Sensor into decorative box
RS02	Average Temperature Sensor into decorative box
RS03	Room Temperature Sensor ±3°C
WP4	Decorative Back Plate for ETN
RT03	Hand held remote control