

ETN24-PM2 Series



Wall-mount, 24VAC thermostat with 2 separate proportional outputs for Cool & Heat (3-wire) and 1 or 3 fan speed control

General

The ETN-24-PM2 Series is suitable for light commercial or residential applications. It offers 2 proportional outputs (3-wire) for Cool & Heat valves and 1 speed or 3 speeds, 24VAC fan.

The ETN-24-PM2 is an attractive thermostat with a large, easy to read, display.

Features

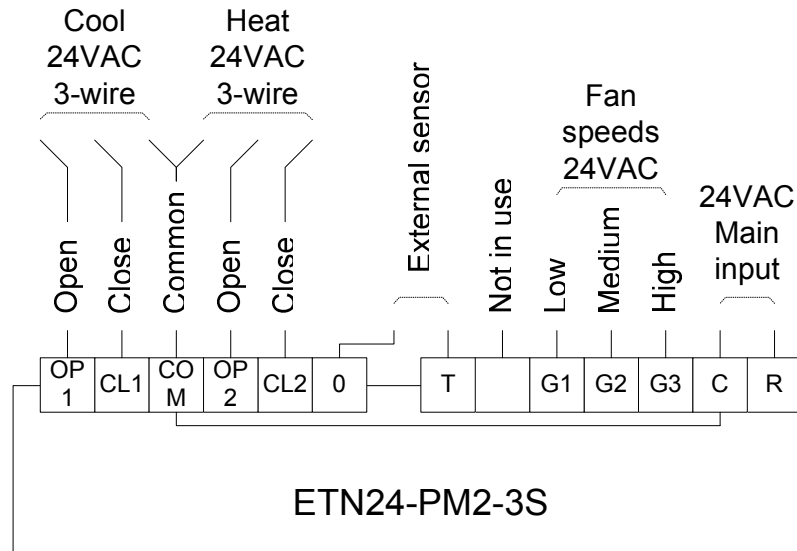
- Wall mount - 24VAC thermostat
- 2 Proportional and Integral outputs (3-wire) for Cool & Heat
- Adjustable Open/Close time for motor (10 to 400 seconds)
- Modes – Cool / Heat / Auto
- External / Internal sensor – dip switch selectable
- Auto speed (3 speed model only)
- Sep point temp. – 10...30°C
- Offset - $\pm 6^{\circ}\text{C}$
- Auto fan
- Energy saving – cost efficient, environmental friendly thermostat

Models

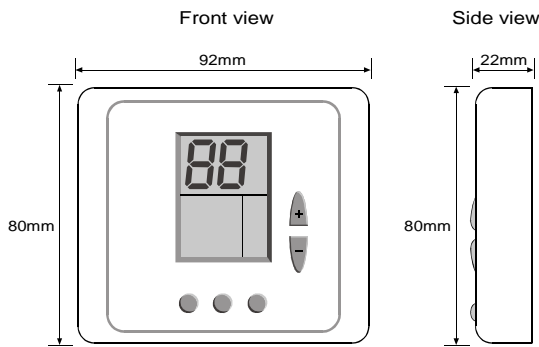
Model	Cool	Heat	Speeds
ETN24-PM2-1S	3-wire	3-wire	1
ETN24-PM2-3S	3-wire	3-wire	3



Electrical Diagram



Dimensions



Specifications

Temperature Range	10°C ÷ 30°C
Weight	0.25 Kg
Scale	°C
Color	White
Accuracy	±1°C
Plastic	PC/ABS
Flammability	UL94V-0
Temperature Input	50K@25°C

Accessories

Part Number	Description
TS01	Temperature Sensor - 80 cm Cable
RS01	Temperature Sensor into decorative box
RS02	Average Temperature Sensor into decorative box
RS03	Room Temperature Sensor ±3°C
WP4	Decorative Back Plate for ETN
RT03	Hand held remote control