



## ETN24-PM-1S-IR



**Wall-mount, 24VAC thermostat with 1 proportional, 3-wire output for Cool & Heat and 1 fan speed control**

### General

The ETN24-PM-1S-IR is suitable for light commercial or residential applications. It offers 1 proportional output (3-wire) for Cool & Heat valves and 1 fan speed control, 24VAC .

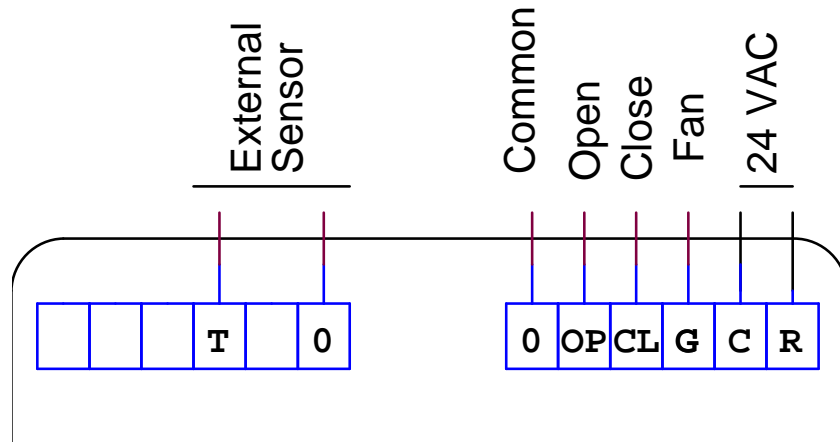
The ETN-24-PM-1S-IR is an attractive thermostat with a large, easy to read, display.

### Features

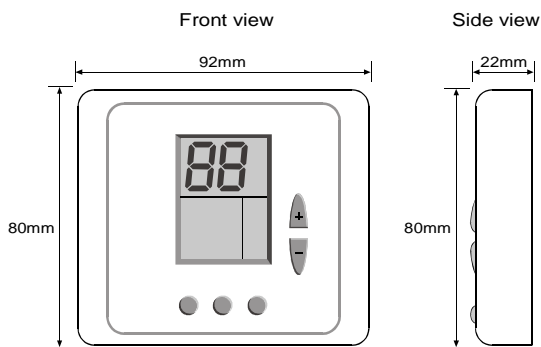
- Wall mount - 24VAC thermostat
- 1 Proportional, 3-wire output for Cool & Heat
- 1 fan speed control
- External sensor - option
- Energy saving – cost efficient, environmental friendly thermostat
- Infra Red Remote control – option
- Large, easy to read display
- Soft, silicon pushbuttons



### Electrical Diagram



### Dimensions



### Specifications

|                   |             |
|-------------------|-------------|
| Temperature Range | 10°C ÷ 30°C |
| Weight            | 0.25 Kg     |
| Scale             | °C          |
| Color             | White       |
| Accuracy          | ±1°C        |
| Plastic           | PC/ABS      |
| Flammability      | UL94V-0     |
| Temperature Input | 50K@25°C    |

### Accessories

| Part Number | Description                                    |
|-------------|--|
| TS01        | Temperature Sensor - 80 cm Cable               |
| RS01        | Temperature Sensor into decorative box         |
| RS02        | Average Temperature Sensor into decorative box |
| RS03        | Room Temperature Sensor ±3°C                   |
| WP4         | Decorative Back Plate for ETN                  |
| RT03        | Hand held remote control                       |