



ETN24-P/PM-1S (Cool Only)



**Wall mount, 24VAC thermostat,
With 0-10VDC output for Cool and
3-wire output for damper control**

General

The ETN24-P/PM-1S (Cool Only) thermostat is a fully featured, stylish thermostat suitable for light commercial, residential or apartment applications. It offers proportional output for Cool (0-10VDC) as well as another 3-wire proportional output, ideal for dampers. The ETN24-P/PM-1S (Cool Only) is an attractive, stylish thermostat with a large, easy to read display and an optional IR remote control.

Features

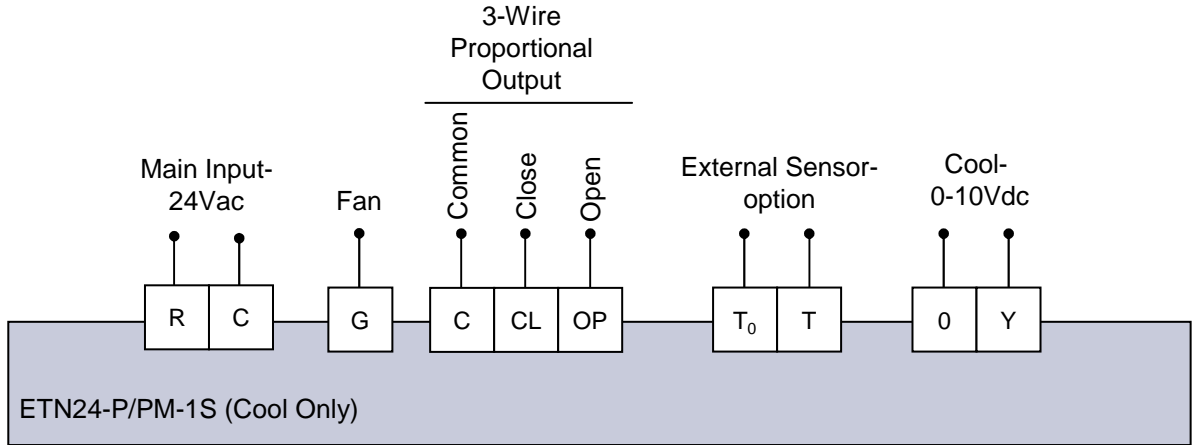
- Wall mount, 24VAC thermostat
- 0÷10V or 2÷10V Cool Output
- 3 Wire, proportional output– Open / Close time adjustable
- Differential - adjustable for 0÷10VDC
- Display for set temperature only – selectable by dip switch position
- Energy saving – cost efficient environmental friendly algorithm
- Lock buttons
- Two temp. scales: Fahrenheit or Celsius
- External Sensor - Option
- Offset for temperature reading adjustment
- Hand Held Remote Control – Option

Models

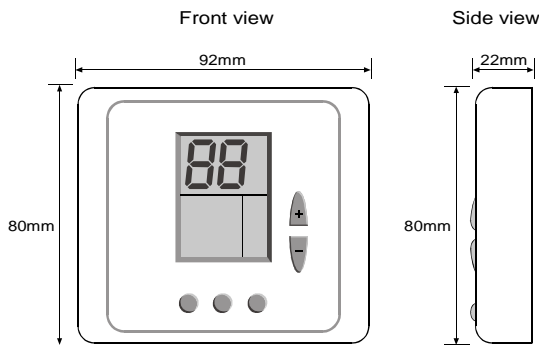
Model	Cool	Speeds	Remarks
ETN24-P/PM-1S (Cool Only)	1	1	
ETN24-P/PM-1S (Cool Only)	1	1	Hand held remote control option



Electrical Diagram



Dimensions



Specifications

Temperature Range	10°C ÷ 30°C
Weight	0.25 Kg
Scale	°C
Color	White
Accuracy	±1°C
Plastic	PC/ABS
Flammability	UL94V-0
Temperature Input	50K@25°C

Accessories

Part Number	Description
TS01	Temperature Sensor - 80 cm Cable
RS01	Temperature Sensor into decorative box
RS02	Average Temperature Sensor into decorative box
RS03	Room Temperature Sensor ±3°C
WP4	Decorative Back Plate for TRS-D70
RT03-C-1S	IR Hand-held remote control – option (Cool only, 1 Speed)