



## ETN-24-P-3 Speeds with PS24



**Surface mount thermostat 24Vac, With proportional outputs for cooling and heating (0÷10Vdc or 2÷10Vdc), 3 speed fan.**

### General

**The ETN-24-P-3 Speeds is a fully featured and stylish thermostat that is well suited for light commercial, residential or apartment applications. The ETN with outputs for cooling and heating (0÷10Vdc or 2÷10Vdc), with 3 speeds 220Vac fan. It is an attractive, surface mounted thermostat , with a large, easy to read display.**

### Features

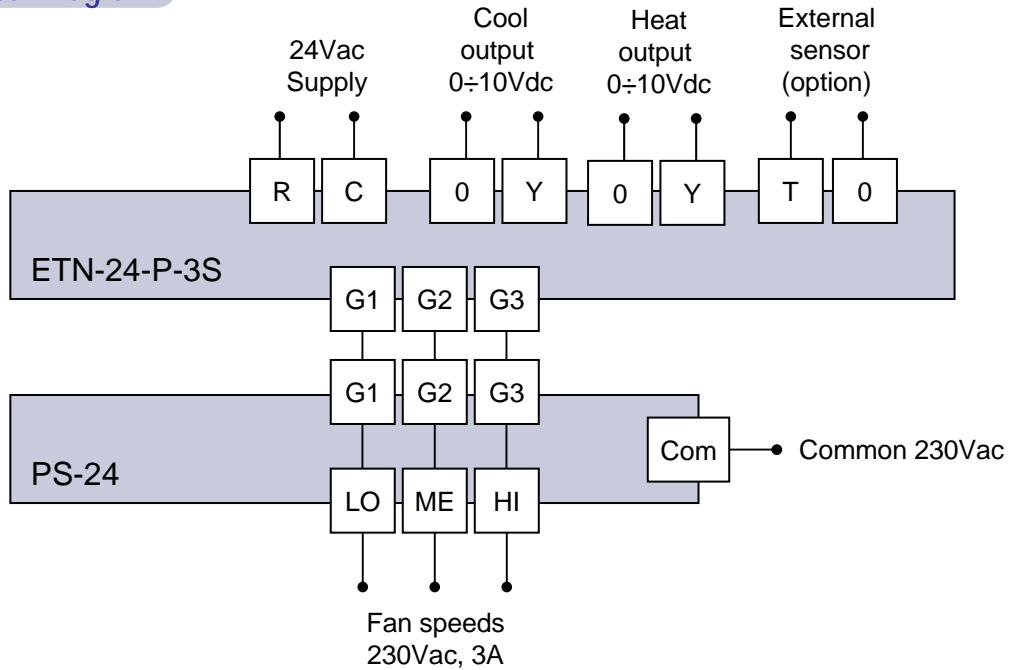
- Wall mount - 24Vac thermostat.
- Proportional and Integral output for cooling and heating (0÷10Vdc or 2÷10Vdc).
- 3 Speeds for fan – 220Vac.
- External sensor – optionally.
- Auto fan selectable.
- Hand held remote control - optionally
- Set point limits – password protected.

### Models

Model	Cool	Heat	Speeds
ETN-24-P-3S	1 (0÷10Vdc)	1 (0÷10Vdc)	3

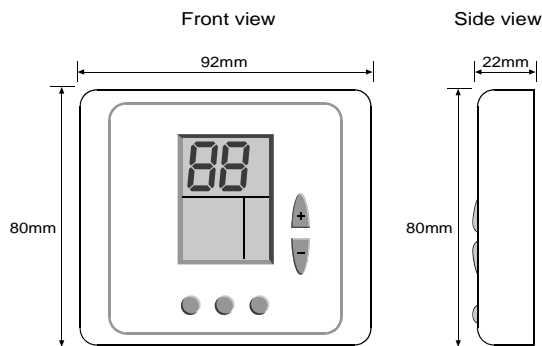


Electrical Diagram



**Important:** PS-24 – Power supply to connect 3 speeds 24Vac into 220Vac/110Vac, is optional.

Dimensions



Specifications

Temperature Range	10°C ÷ 30°C
Weight	0.25 Kg
Scale	°C
Color	White
Accuracy	±1°C
Plastic	PC/ABS
Flammability	UL94V-0
Temperature Input	50K@25°C

Accessories

Part Number	Description
TS01	Temperature Sensor - 80 cm Cable
RS01	Temperature Sensor into decorative box
RS02	Average Temperature Sensor into decorative box
RS03	Room Temperature Sensor ±3°C
WP4	Decorative Back Plate for ETN
RT03	Hand held remote control
PS24	Power supply for ETN-24-P-3S