

## ETN24-P-1S (Cool Only)



**24VAC, wall-mount thermostat for VAV applications, with 1 proportional output (0÷10Vdc) for Cool only.**

### General

**The ETN24-P-1S (Cool Only) thermostat is a fully featured and stylish thermostat suitable for light commercial, residential or apartment applications.**

**This thermostat has proportional output for Cool (0-10VDC or 2-10 VDC), large, easy to read display and option for a hand held remote control.**

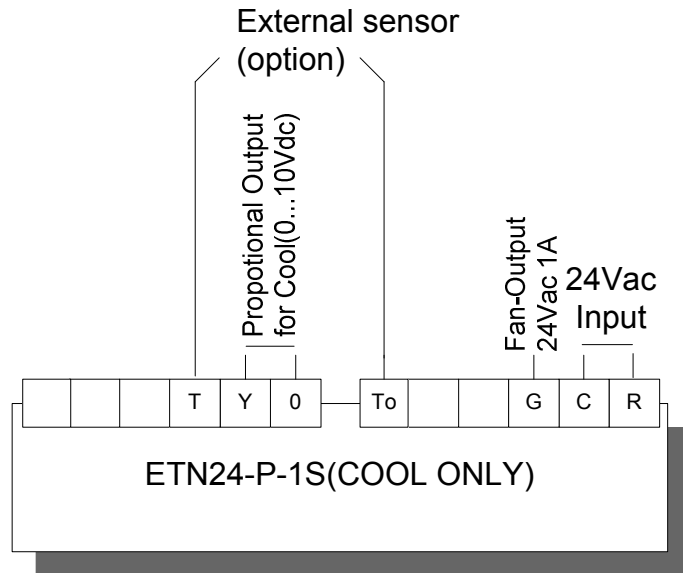
### Features

- Wall mount, 24VAC thermostat
- 1 proportional output for Cool (0-10V or 2-10V)
- External / Internal Sensor – dip switch selectable
- Differential - Adjustable for 0–10VDC
- Offset temperature reading – adjustable (±3°C, ±6°F)
- Temperature set-point limits - (10°-30°C, 50°-86°F)
- Temp. scales: Fahrenheit or Celsius
- Display ambient temp. & set-point / Display set-point only – dip switch selectable
- Lock / Unlock thermostat pushbuttons
- Hand Held Remote Control – Option
- Timer – start/stop from Remote control

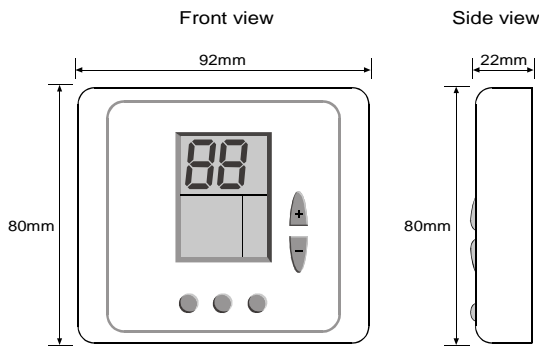
### Models

Model	Cool Stages	Speeds	Remarks
ETN24-P-1S (Cool Only)	1	1	
ETN24-P-1S- IR	1	1	Hand held remote control option

Electrical Diagram



Dimensions



Specifications

Temperature Range	10°C ÷ 30°C
Weight	0.25 Kg
Scale	°C
Color	White
Accuracy	±1°C
Plastic	PC/ABS
Flammability	UL94V-0
Temperature Input	50K@25°C

Accessories

Part Number	Description
TS01	Temperature Sensor - 80 cm Cable
RS01	Temperature Sensor into decorative box
RS02	Average Temperature Sensor into decorative box
RS03	Room Temperature Sensor ±3°C
WP4	Decorative Back Plate for ETN
RT03	Hand held remote control