

ETN-24-P-1S-IR



Wall mount, 24VAC thermostat, with 2 proportional outputs for Cool and Heat (0-10VDC), 1 fan speed and an IR

General

The ETN-24-P-1S-IR is a fully featured and stylish thermostat suitable for light commercial, residential or apartment applications.

This easy to operate thermostat has outputs for Cool and Heat (0-10VDC or 2-10VDC), 1 fan speed and a remote control option.

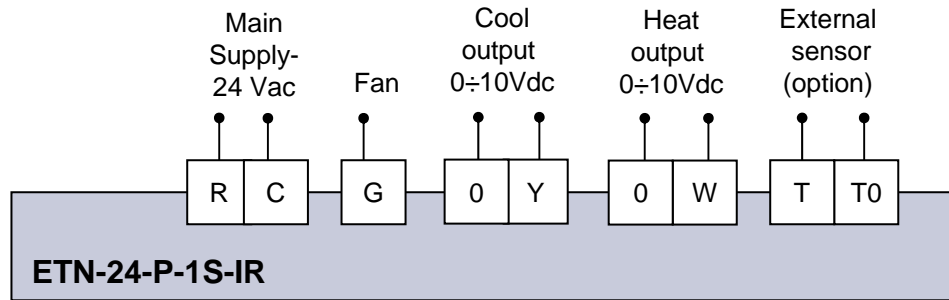
The ETN-24-P-1S-IR is a smart looking thermostat with a soft aesthetic shape and a large, easy to read LCD display.

Features

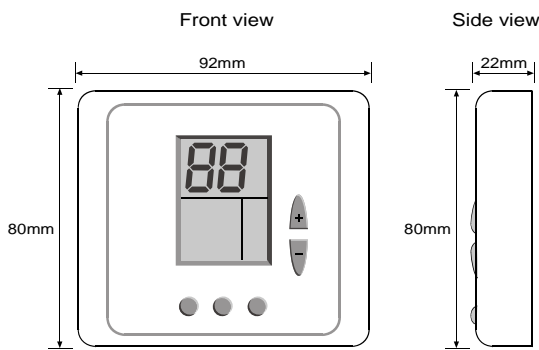
- Wall mount, 24VAC thermostat
- 2 separate proportional outputs for Cool & Heat
- 0-10V or 2-10V output - selectable
- 1 fan speed
- External sensor – optional
- Hand held remote control – option
- Energy saving – cost efficient, environmental friendly thermostat
- Auto-change-over – DIP switch selectable
- Set point limits – (10°...30°C)
- Offset and differential – adjustable
- Lock buttons
- Silicon rubber key pads



Electrical Diagram



Dimensions



Specifications

Temperature Range	10°C ÷ 30°C
Weight	0.25 Kg
Scale	°C
Color	White
Accuracy	±1°C
Plastic	PC/ABS
Flammability	UL94V-0
Temperature Input	50K@25°C

Accessories

Part Number	Description
TS01	Temperature Sensor - 80 cm Cable
RS01	Temperature Sensor into decorative box
RS02	Average Temperature Sensor into decorative box
RS03	Room Temperature Sensor ±3°C
WP4	Decorative Back Plate for ETN