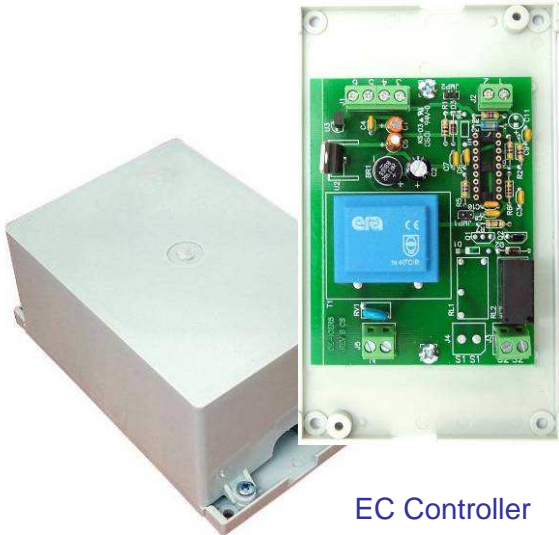




EC200



EC Controller



Occupancy Sensor

230VAC, Energy Controller for energy saving in offices or hotel rooms. Turns off/on HVAC system per presence in a room via an Occupancy Sensor and an optional Contact Input

General

The EC200 is a simple, yet smart Energy Controller to be easily installed in an existing HVAC system in order to eliminate energy waste of Air Conditioning operation in offices, conference rooms or hotel rooms.

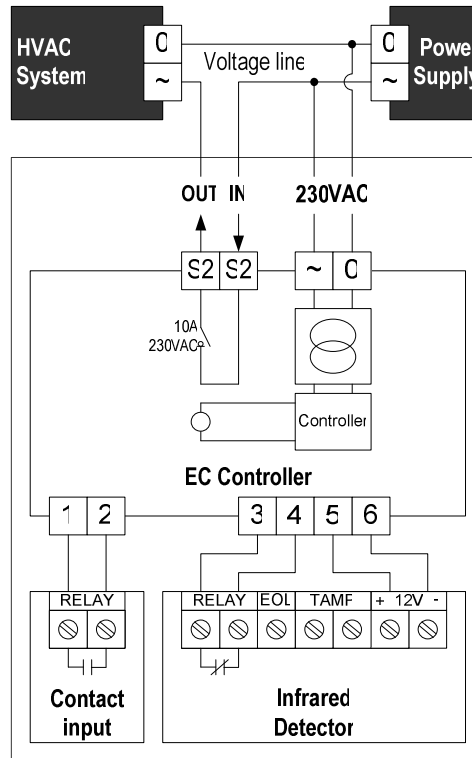
Presence detection is achieved via an Infra Red Occupancy sensor, installed in a room, and an optional Contact Input, such as a door switch, a window contact or other Normally Closed input. If the IR sensor detects no presence within a certain, configurable time, and via information received from the Contact Input, the room is reckoned to be un-occupied, the EC will cut off electricity to HVAC system. Upon detection, EC will automatically re-operate the system.

Features

- Power supply - 230VAC, 10A for HVAC operation
- Maximum energy saving
- Easy, quick installation at voltage line, between an existing HVAC system and Power Supply
- EC installation requires no modification in application
- No decline in convenience to user
- Detects presence based on an IR Occupancy sensor + a Contact Input on door entry or window
- Controller supplies 12VDC voltage to IR detector
- EC controller set contains the controller + IR sensor



Electrical Diagram



Controller Specifications

Weight	287 gr.
Dimensions	147 x 87 x 65 mm
Color	White
Plastic	PC/ABS
Flammability	UL94V-0