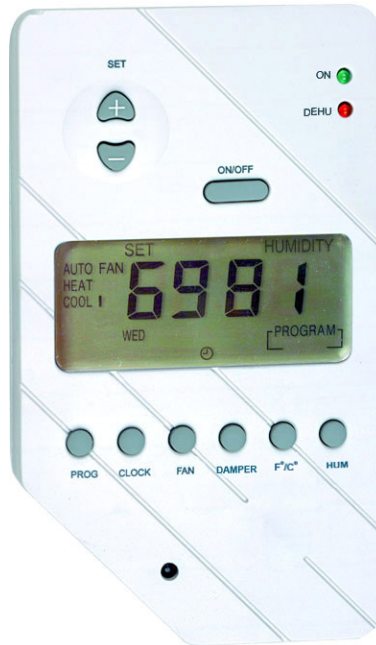




DEH-2000



Wall-mount, 24Vac, humidity ONLY controller with Fresh Air Damper output and weekly program built-in.

General

The DEH-2000 thermostat is a humidity controller with an additional output for fresh air damper.

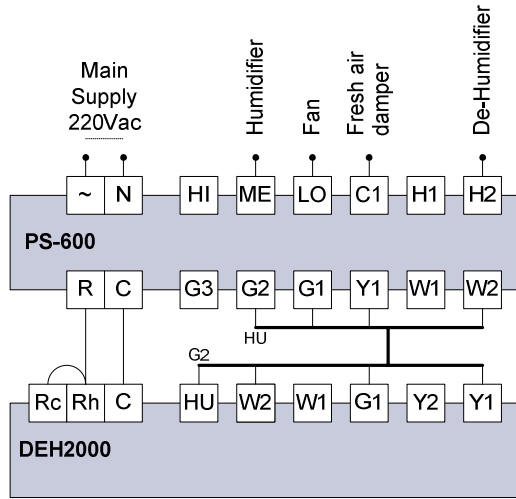
The DEH-2000 has a built-in humidity sensor which allows for adjusting a HUMIDITY SET POINT. It offers a humidifier and de-humidifier output (24Vac) as well as a weekly program for the operation of Fresh Air Damper.

Features

- Main supply- 24Vac.
- On/Off output for Humidifier- 24vac
- On/Off output for De-Humidifier- 24Vac
- Output for Fresh Air Damper
- Humidity sensor built-in
- Display of Tambient in °C or °F
- 5-1-1 weekly program (4 x start/stop) for Fresh Air Damper operation
- Fan ALWAYS runs when there is demand for ventilation (FAD open), even if Fan has been set to "Off"
- Adjustable humidity set point range- 20%-90%



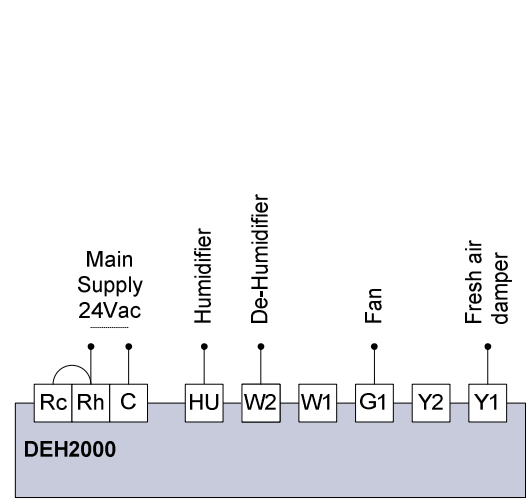
Electrical Diagram – outputs 220Vac



Note: In case of 220Vac systems, the PS-600 must be used.

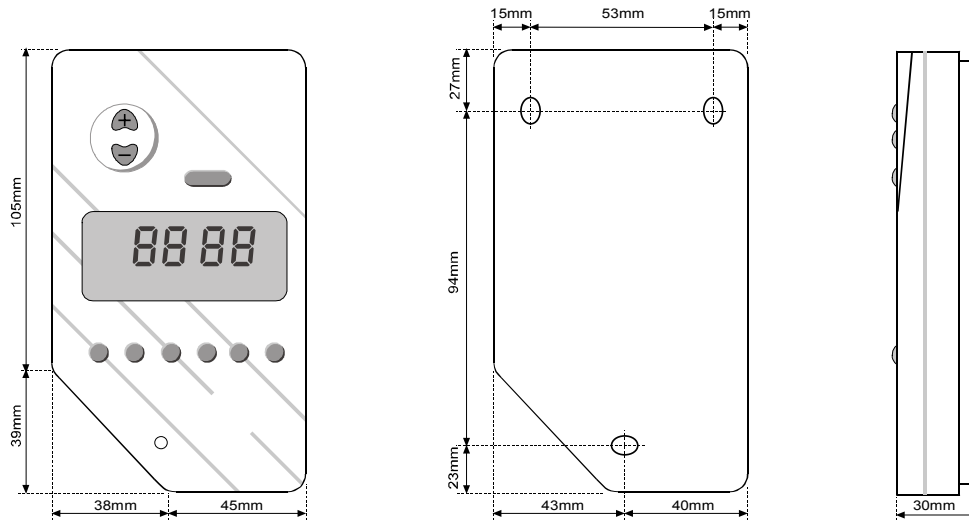
Fan – 3A (max),
Humidifier, Fresh air damper, De-humidifier – 1A each (max)

Electrical Diagram – outputs 24Vac



All outputs – 1A each (max)

Dimensions





Specifications

Temp. Range	45-95°F / 10-30°C	Accuracy	±1.5°F/1°C
Weight	0.55 lbs / 0.25 Kg	Plastic	PC/ABS
Scale	°C /°F	Flammability	UL94V-0
Color	White	Temp. Input	Thermistor 50K@77°F/25°C

Accessories

Part Number	Description
WP2	Decorative Plastic Back Plate
WP3	Decorative Plastic Back Plate - Wide
PS-600	Power Supply