



DA-24-3W Damper series - 6", 8", 10"



* These dampers are available also with Temperature Sensor (DA-24-3W-T series)

**Stand alone damper –
Air flow regulator & control
Available in 6", 8", 10" diameter**

General

Damper applications for climate control are the best way to regulate airflow in a multi-zoned house, hotel or office building to improve efficiency and occupant comfort.

Dampers allow you to have complete control over which rooms are air conditioned or closed, and are thus energy saving.

Users decide on mode and set point and the damper will open or close accordingly.

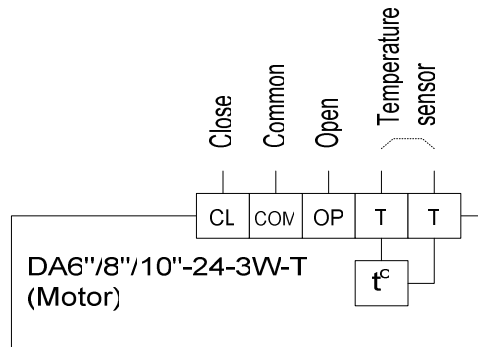
Dampers are available in 6", 8" & 10" diameter.

Features

- Main supply - 24V
- Stand alone, proportional damper
- Proportional, 3 wire open /close
- Damper opening/ closing duration: 8 seconds
- Damper control via room thermostat
- Energy saving & environmental friendly
- Available in 6", 8" and 10" diameter



Wiring Diagram



Configuration

- Stand alone damper
DA-24-3W series
- ETN-24-AZC
- FMT-24-AZC



Accessories

Part Number	Description
ETN-24-AZC	Wall mount room thermostat for damper control
FMT-24-AZC	Flush mount room thermostat for damper control

Specifications

Length	175mm, 290mm, 300mm
Diameter	6", 8", 10"
Weight	520 gr., 800 gr., 1,200 gr.
Color	White
Plastic	PC/ABS