



## CHU-24-SUPER



**Built-In Humidity Sensor!!!!**

**Wall-mount, 24Vac, temperature and humidity controller with alarm and weekly program built-in.**

### General

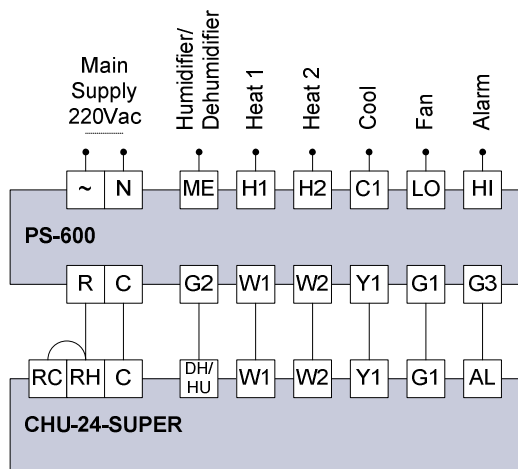
**The CHU-24-SUPER thermostat is a combined temperature and humidity controller. It offers a selectable number of heating and cooling stages as well as an output for humidifier or de-humidifier. The CHU-24-SUPER has a built-in humidity sensor which allows for adjusting a HUMIDITY SET POINT. It also offers weekly programming (where set Cool, set Heat and SET HUMIDITY may be programmed) and alarm indication in case temperature or humidity limits are exceeded.**

### Features

- Main supply- 24Vac.
- System configuration- Heat Pump or Heat/Cool (jumper selectable)
- Multiple stages for Cooling and Heating
- Output for Humidifier or De-Humidifier (jumper selectable)- 24Vac
- Humidity sensor built-in (0-10Vdc)
- Adjustable Heat configuration; Electric or Oil/Gas system (jumper selectable)
- 5-1-1 weekly program with programmable set Cool, set Heat and **SET HUMIDITY**
- Re-heat function in humidity logic
- Alarm output (24Vac)- Indication in case temperature or humidity limits are exceeded
- Adjustable temperature set point range- 5°C-35°C
- Adjustable humidity set point range- 20%-70% RH

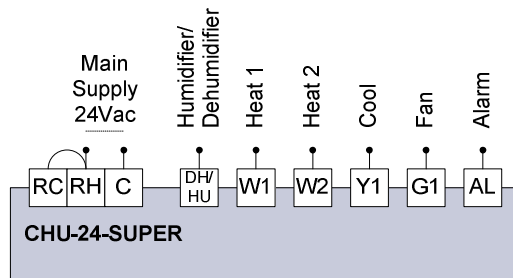


### Electrical Diagram – outputs 220Vac



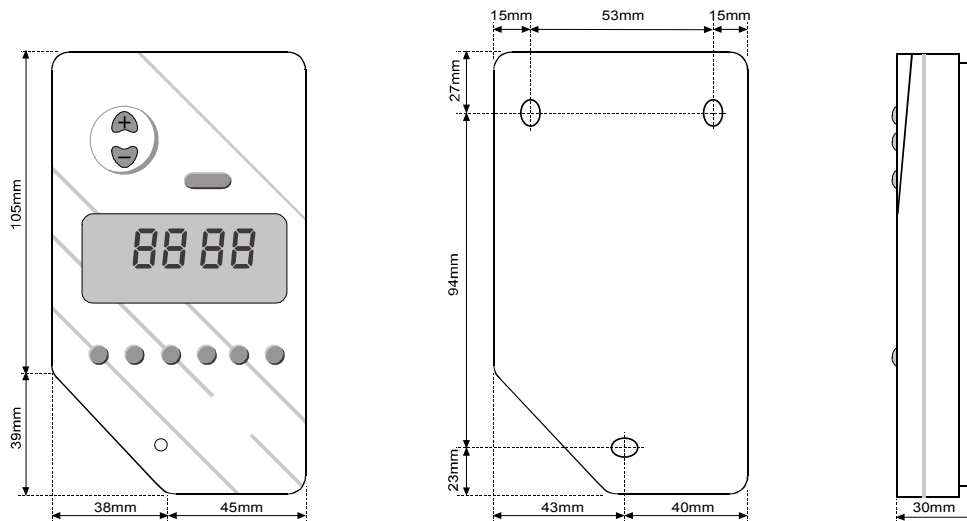
*Note: In case of 220Vac systems, the PS-600 must be used.  
All outputs – 1A each (max)*

### Electrical Diagram – outputs 24Vac



*All outputs – 1A each (max)*

### Dimensions





### Specifications

Temperature Range	45-95°F / 10-30°C	Accuracy	±1.5°F/1°C
Weight	0.55 lbs / 0.25 Kg	Plastic	PC/ABS
Scale	°C /°F	Flammability	UL94V-0
Color	White	Temp. Input	Thermistor 50K@77°F/25°C

Note: Temperature scale (°C or °F) must be specified at time of order; both scales are NOT available within the same unit.

### Accessories

Part Number	Description
WP2	Decorative Plastic Back Plate
WP3	Decorative Plastic Back Plate - Wide
PS-600	Power Supply